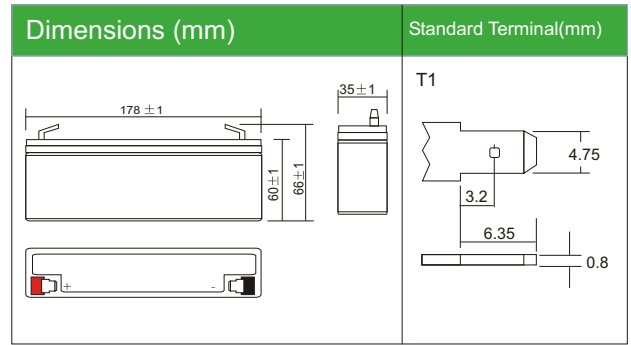


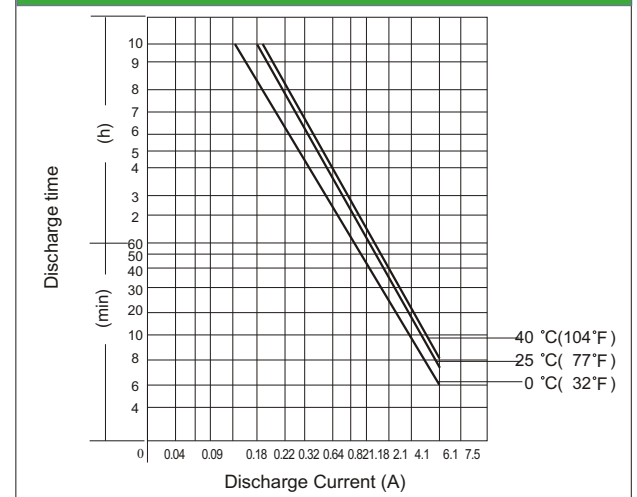
BFS 12-2

12V 2,1Ah

VDS-Nr.: G103118

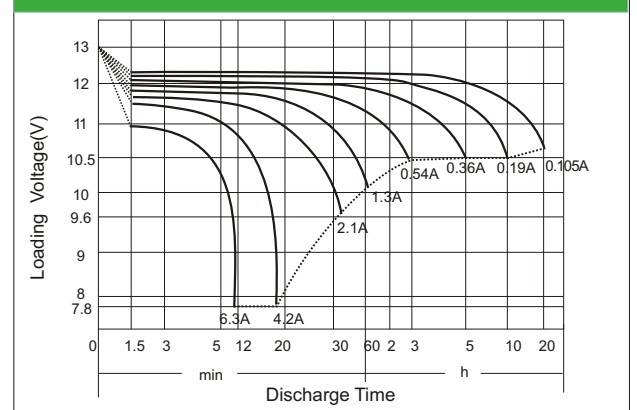


Discharging Current & Discharge Duration Time



Physical Specification		
Nominal Voltage	12V	
Nominal Capacity (20HR)	2.1AH	
Dimension	Length	178 ± 1mm (7.00 inches)
	Width	35 ± 1mm (1.38 inches)
	Container Height	60 ± 1mm (2.36 inches)
	Total Height (with Terminal)	66 ± 1mm (2.60 inches)
Weight	Approx 1.0kg (2.20lbs)	
Standard Terminal	T1(standard)	

Discharge Characteristics (25°C, 77°F)



Electrical Specification					
Rated Capacity	20 hour rate (105 mA)	2.1AH	Constant-Voltage Charge	Cycle	Initial Charging Current less than 0.63A. Voltage 14.4V~ 15.0V at 25°C (77°F) Temp. Coefficient -30mV/C
	10 hour rate (190mA)	1.9AH			
	5 hour rate (360mA)	1.8AH			
	1 hour rate (1.30A)	1.30AH			
Capacity affected by Temperature	15minute rate (4.12A)	1.03AH	Standby	No limit on Initial Charging Current Voltage 13.5V~13.8V at 25°C(77°F) Temp. Coefficient - 20mV/C	
	40C (104°F)	103%			
	25C (77°F)	100%			
	0C (32°F)	86%			

Constant Current (Amp) and Constant Power (Watt) Discharge Table (25°C, 77°F)

Time in Minutes	5	10	15	20	30	45	60	120	180	300	600	1200
Final voltage	1,60	1,60	1,60	1,70	1,70	1,70	1,70	1,80	1,80	1,80	1,80	1,80
Current in Ampere	11,1	6,5	4,8	2,9	2,3	1,75	1,20	0,63	0,51	0,31	0,17	0,11
Power in W/C	15,9	10,9	8,3	5,2	3,8	3,10	2,40	1,20	0,90	0,64	0,36	0,21